

'Nitro' screw compressors

compressors for nitrogen systems

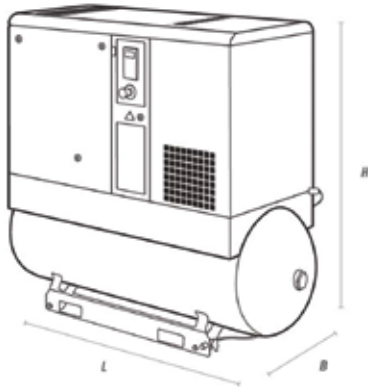
SOTEX recommends and supplies a complementary screw compressor for the nitrogen expansion systems. These are carefully selected for the system and project in question in order to ensure that the correct connection voltage and required rating are met. The 'Nitro' versions are characterised by important modifications to the nitrogen system, such as a pre-assembled electronic condensate drain and CEE plug.

SOTEX supplies Atlas Copco screw compressors, which are known for their reliability and efficiency. In addition, the brand is very well represented worldwide. In short, an absolutely good choice.

The compressor is also available with a built-in refrigeration dryer. This version is indicated with the letters FF (Full Feature).



Type G2 FF



	capacity		max. working pressure		electrical connection		dimensions			weight	weight FF	motor	capacity air receiver
	50 Hz [Nm ³ /h]	60 Hz [Nm ³ /h]	50 Hz [bar]	60 Hz [bar]	50 Hz 3~400V	60 Hz 3~208/230/460V	L [mm]	B [mm]	H [mm]	[kg]	[kg]	[kW]	[l]
G2 -10- 200 'Nitro'	17,6	16,6	10	10	√	√	1430	665	1260	165	190	2,2	200
G3 -10- 200 'Nitro'	22,0	—	10	—	√	—	1430	665	1260	170	195	3,0	200
G4 -10- 200 'Nitro'	31,0	30,6	10	10	√	√	1430	665	1260	175	200	4,0	200
G5 -10- 200 'Nitro'	46,8	44,3	10	10	√	√	1430	665	1260	185	210	5,5	200
G7 -10- 200 'Nitro'	59,0	58,0	10	10	√	√	1430	665	1260	195	225	7,5	200
G7 L -10- 270 'Nitro'	65,5	66,6	10	9,1	√	√	1533	590	1332	245	327	7,5	270
G11 -10- 270 'Nitro'	86,8	89,6	10	9,1	√	√	1533	590	1332	258	340	11,0	270
G15 -10- 270 'Nitro'	104,8	107,3	10	9,1	√	√	1533	590	1332	270	360	15,0	270