



Lupi Triple

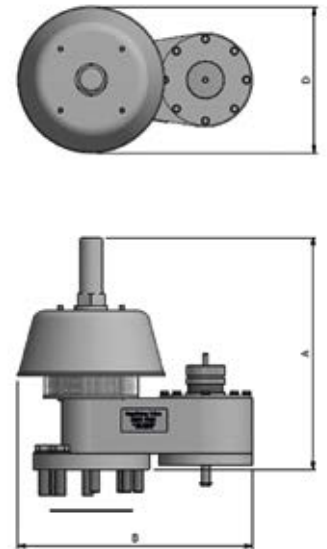
vacuum / overpressure control valves

SOTEX provides a matching vacuum/overpressure control valve for any nitrogen expansion system. The LUPi Triple vacuum/overpressure control valves have two main functions;

- mechanical protection of a heat storage tank against overpressure and underpressure;
- pressure control nitrogen blanket (the blowing off of the nitrogen from the tank).

The housing is made of a very strong aluminium alloy and all valve parts and shafts are made of stainless steel. These valves can withstand weather and wind without any problems. Nevertheless, as an extra protection, we offer a tailor-made protective cover as an option, especially for countries with cold and severe winters. For the extremely cold locations we offer an optional 'tracing package'.

Ask about the possibilities in our sales department.



flange size	opening pressure operating valve [mbar]	opening pressure overpressure [mbar]	opening pressure under pressure [mbar]	dimensions			weight [kg]	for nett tank sizes [m ³]
				A	B	D		
DN50								
Triple DN80				355	395	250	12	1 - 1000
Triple DN150				510	627	408	25	1000-2500
Triple DN200	+20	+28	-2	570	744	485	42	2500-5000
Triple DN250				650	876	578	45	5000-7500
Triple DN300				745	1005	652	76	7500-10000