

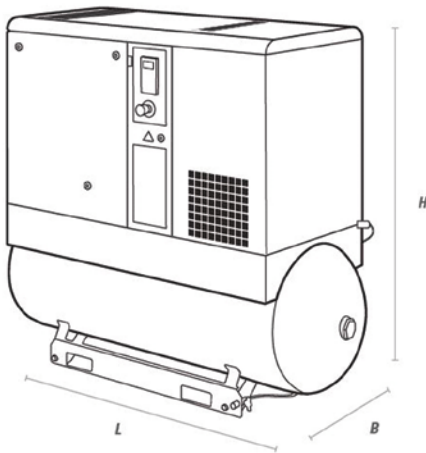


'Nitro' screw compressors

compressors for nitrogen systems

SOTEX recommends and supplies a complementary screw compressor for the nitrogen expansion systems. These are carefully selected for the system and project in question in order to ensure that the correct connection voltage and required rating are met. The 'Nitro' versions are characterised by important modifications to the nitrogen system, such as a pre-assembled electronic condensate drain and CEE plug.

SOTEX supplies Atlas Copco screw compressors, which are known for their reliability and efficiency. In addition, the brand is very well represented worldwide. In short, an absolutely good choice.



| | capacity | | max. working pressure | | electrical connection | | dimensions | | | weight | motor | capacity air receiver |
|------------------------------|-------------------------------|-------------------------------|-----------------------|----------------|-----------------------|-------------------------|------------|-----------|-----------|--------|-------|-----------------------|
| | 50 Hz [Nm ³ /h] | 60 Hz [Nm ³ /h] | 50 Hz [bar] | 60 Hz [bar] | 50 Hz 3~400V | 60 Hz 3~208/230/460V | L [mm] | B [mm] | H [mm] | [kg] | [kW] | [l] |
| GX2 EP-10-200 'Nitro' | 14,4 | 14,4 | 10 | 10,3 | √ | √ | 1420 | 575 | 1280 | 165 | 2,2 | 200 |
| GX3 EP-10-200 'Nitro' | 19,1 | — | 10 | — | √ | — | 1420 | 575 | 1280 | 165 | 3,0 | 200 |
| GX4 EP-10-200 'Nitro' | 28,1 | 28,1 | 10 | 10,3 | √ | √ | 1420 | 575 | 1280 | 165 | 4,0 | 200 |
| GX5 EP-10-200 'Nitro' | 36,0 | 36,0 | 10 | 10,3 | √ | √ | 1420 | 575 | 1280 | 165 | 5,5 | 200 |
| GX7 EP-10-200 'Nitro' | 50,4 | 49,6 | 10 | 10,3 | √ | √ | 1420 | 575 | 1280 | 214 | 7,5 | 200 |
| G7 EL-10-270 'Nitro' | 64,9 | 67,3 | 10 | 9,1 | √ | √ | 1533 | 590 | 1332 | 245 | 7,5 | 270 |
| G11 EL-10-270 'Nitro' | 86,5 | 91,4 | 10 | 9,1 | √ | √ | 1533 | 590 | 1332 | 257 | 11,0 | 270 |
| G15 EL-10-270 'Nitro' | 104,8 | 106,7 | 10 | 9,1 | √ | √ | 1533 | 590 | 1332 | 276 | 15,0 | 270 |



HIGH RELIABILITY

- 100% continuous duty cycle.
- Up to 46 °C/115 °F ambient temperatures.



LOW MAINTENANCE

- Easy access for maintenance.
- Quality components.



SILENT OPERATION

- Belt-driven element.
- Reduced noise levels and low vibration.



ENVIRONMENTALLY FRIENDLY

- Reduced energy consumption.
- Low CO₂ emissions.